

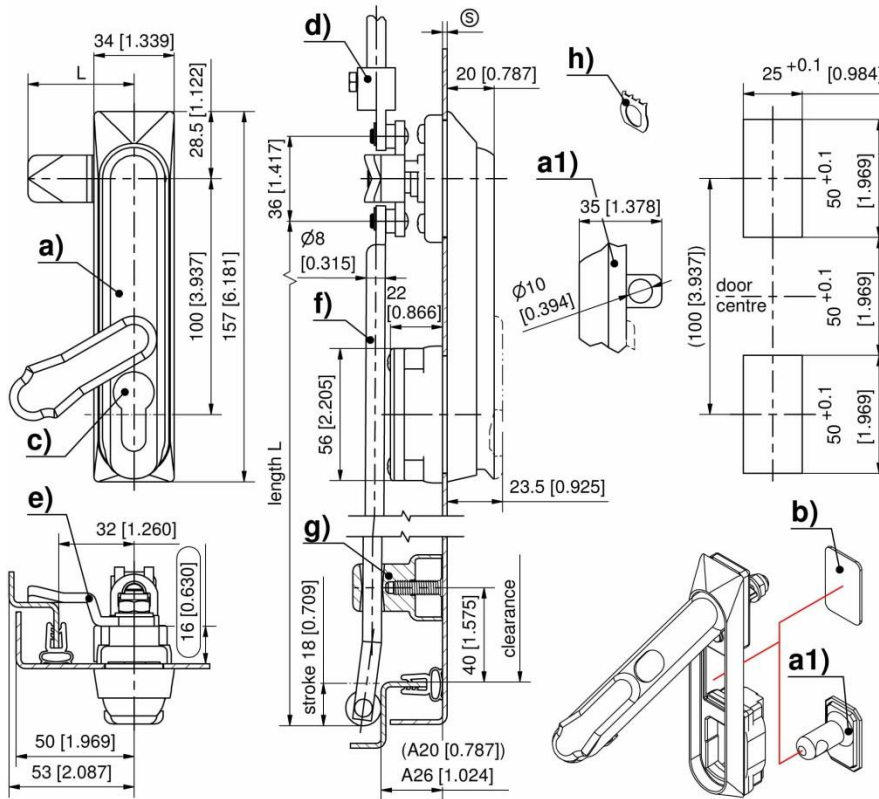
H065 Stainless Steel Swinghandle (Padlockable Option)

Features

- Swinghandle with 90° closing rotation
- RH / LH application
- IP 65 according to DIN EN 60529
- Can be locked with 40 mm long profile-cylinders (DIN 18252) with 45° or 90° closing rotation
- Opening in the dish can be filled with an optional rectangular blanking plate

Material

- Swinghandle, dish, dust cover: Stainless steel 316
- Cap: PA, black
- Swinghandle shaft and padlock bolt: Stainless steel 303



(a) / (a1) Swinghandle for Profile Cylinder

Part No.	Version	Padlock	Installation Type
H065-C07-9294	Without Cylinder Dustcover	No	Screw-On
H065-C07-9295	With Cylinder Dustcover		
H065-B07-9284	Without Cylinder Dustcover	Yes	
H065-B07-9285	With Cylinder Dustcover		

(b) Accessory

Part No.	Description	Material
H065-C07-2506-8	Blanking Plate	Stainless Steel

(c) Profile Cylinder

Part No.	Description	Material
H065-C11-9226	Square 6 mm	Stainless Steel 316
H065-C11-9227	Square 7 mm	
H065-C11-9228	Square 8 mm	
H065-C11-9229	Triangular 7 mm	
H065-C11-9230	Triangular 8 mm	
H065-C11-9231	Double Bit 3 mm Pin	
H065-C11-9232	Double Bit 5 mm Pin	
H065-C11-9233	Slotted 2 x 4 mm Deep	

(d) Adapter for Round Rods

Contact Gripwell for assistance

(e) Cams

Part No.	Description	Material
H065-C07-9598	2-Point Cam	Stainless Steel
H065-C07-9845-22	3- or 4-Point Cam	
H065-C07-9845-28		

(f) Round Rods

Contact Gripwell for assistance

(g) Rod Guides

Part No.	Description	Material
H065-C00-3623-51	Bending A20	PA, Black
H065-C00-3625-51	Bending A26	

(h) Grounding Clip

Part No.	Material
H065-C08-1201-4	Stainless Steel 301

Formula for rods with eye and rollers:
cutout in the door center (rod length varies)

$$L = \frac{\text{upper rod clearance} - 12\text{mm}[0.472]}{2 [0.079]} - 50\text{ mm} [1.969] \quad L = \frac{\text{lower rod clearance} - 12\text{mm}[0.472]}{2 [0.079]} + 50\text{ mm} [1.969]$$

cutout outside the door center (rod length equal)

$$L = \frac{\text{clearance} - 12\text{mm}[0.472]}{2[0.079]}$$